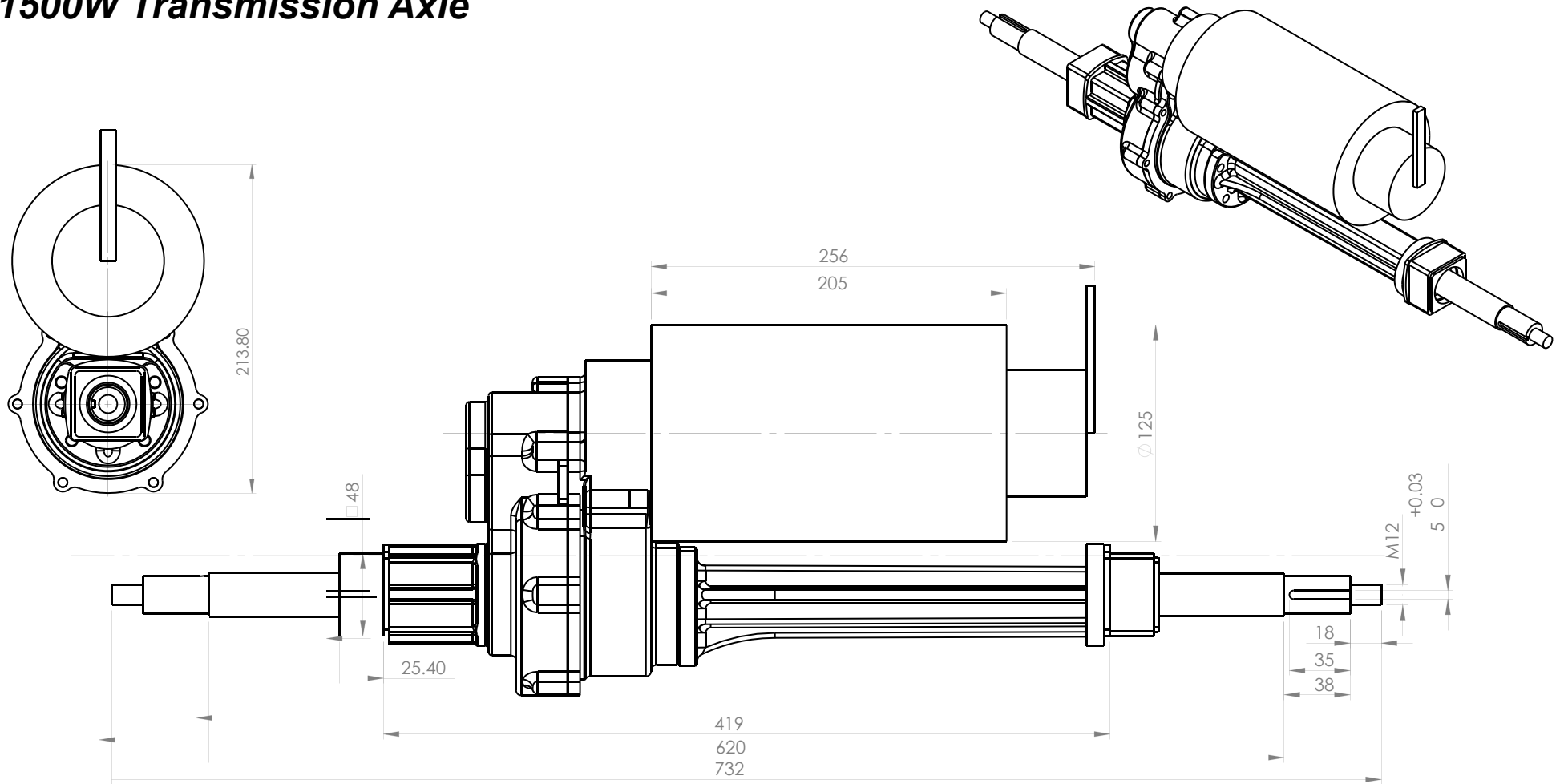


1500W Transmission Axle



NOTE:

1. Unit : mm
2. Scale : 1:3
3. Max.Motor Dia: 125 mm
4. 1500W
5. Gear Material: Alloy steel w/ Heat treatment.



STARS CO., LTD.

NO. 323 KUO-CHI RD. SEC. 2 TAOYUAN, TAIWAN 33056

TEL : 886-03-3699587

www.starstw.com