

# FA SERIES



## DC MOTOR CONTROLLER

### For Permanent Magnet Motor

12 - 48 VDC 100 - 200A

#### DESCRIPTION:

The Stars FA-Series motor controller is a permanent magnet motor speed controller. The FA-series of permanent magnet motor controller is perfect for systems requiring peak currents from 100A to 200A and system voltages from 12VDC to 48VDC. It offers smooth, silent, cost effective control of motor speed and torque. The motor controller is fully programmable by means of the Stars PD-0711A handheld programmer. Use of the programmer offers diagnostic and test capability as well as configuration flexibility



#### APPLICATIONS:

Small pallet trucks, sweepers, scissor lifts, golf carts, electric staker, platform truck, marine and other electric vehicles fitted with Series DC motors.

#### GENERAL FEATURES INCLUDE:

- Mosfet Power Technology – High frequency, noiseless, low voltage drop.
- Microprocessor Logic - safety and flexibility
- Static inversion and energy recuperation - reduce maintenance.
- Protection :Overheat, Overcurrent & Low Voltage
- Regenerative Braking - reduce braking distance
- Speed Limit potentiometer input provides control over the maximum vehicle speed.
- The vehicle is brought to a complete stop before the electromagnetic brakes are applied to prevent harsh jarring.
- Can be easily programmed with Stars PD-0711A, or direct from factory.
- Several throttle types
- Simplified trouble shooting and diagnostics.
- LED status indicator.

#### SPECIFICATIONS:

- Current Booster
- Operating Frequency : 20KHz
- Microprocessor Logic
- LED & Console Diagnostics
- Inter Hour Meter
- Flashing LED Display for Diagnostics
- Dimensions (mm) : 172L x 146W x 72H
- Case : Plastic , black Finish
- Operating temperature : -30°C to + 50°C
- Storage temperature : -40°C to +70°C
- Protection :Temperature, Overcurrent & Low Voltage Protection

# FA SERIES

## DC MOTOR CONTROLLER

For Permanent Magnet Motor

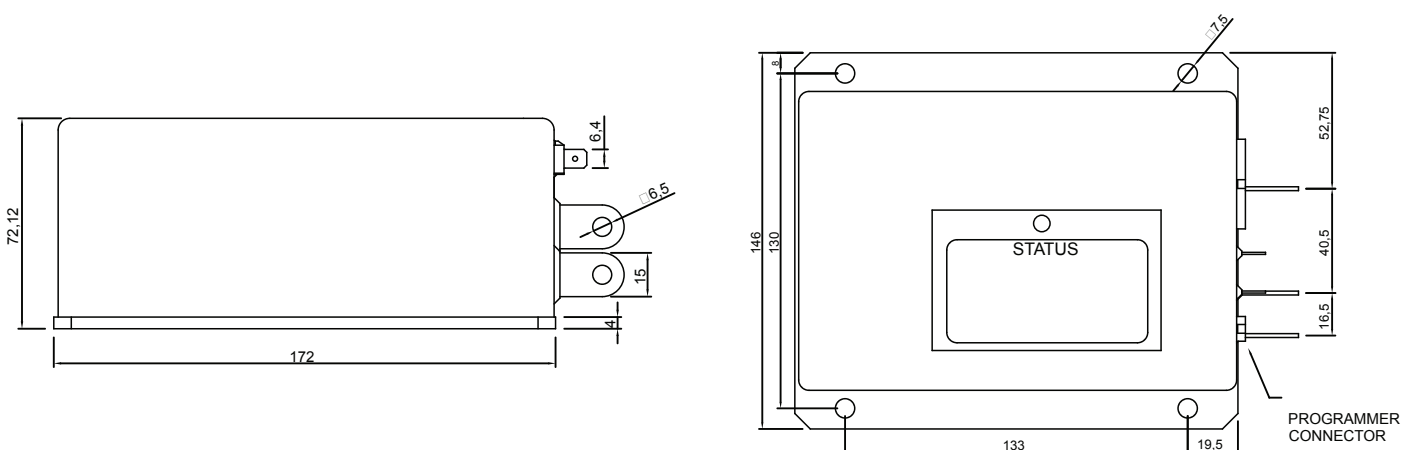
12 - 48 VDC 100 - 200A



### PRODUCT FEATURES:

MODEL	Voltage	Current	1-min cont. current (A)	1-hour cont. current (A)
FA1210	12V	100	100	55
FA2310	24-36V	100	100	55
FA4810	48V	100	100	55
FA1220	12V	200	200	90
FA2320	24-36V	200	200	90
FA4820	48V	200	200	90

### DIMENSIONS:



# FA SERIES

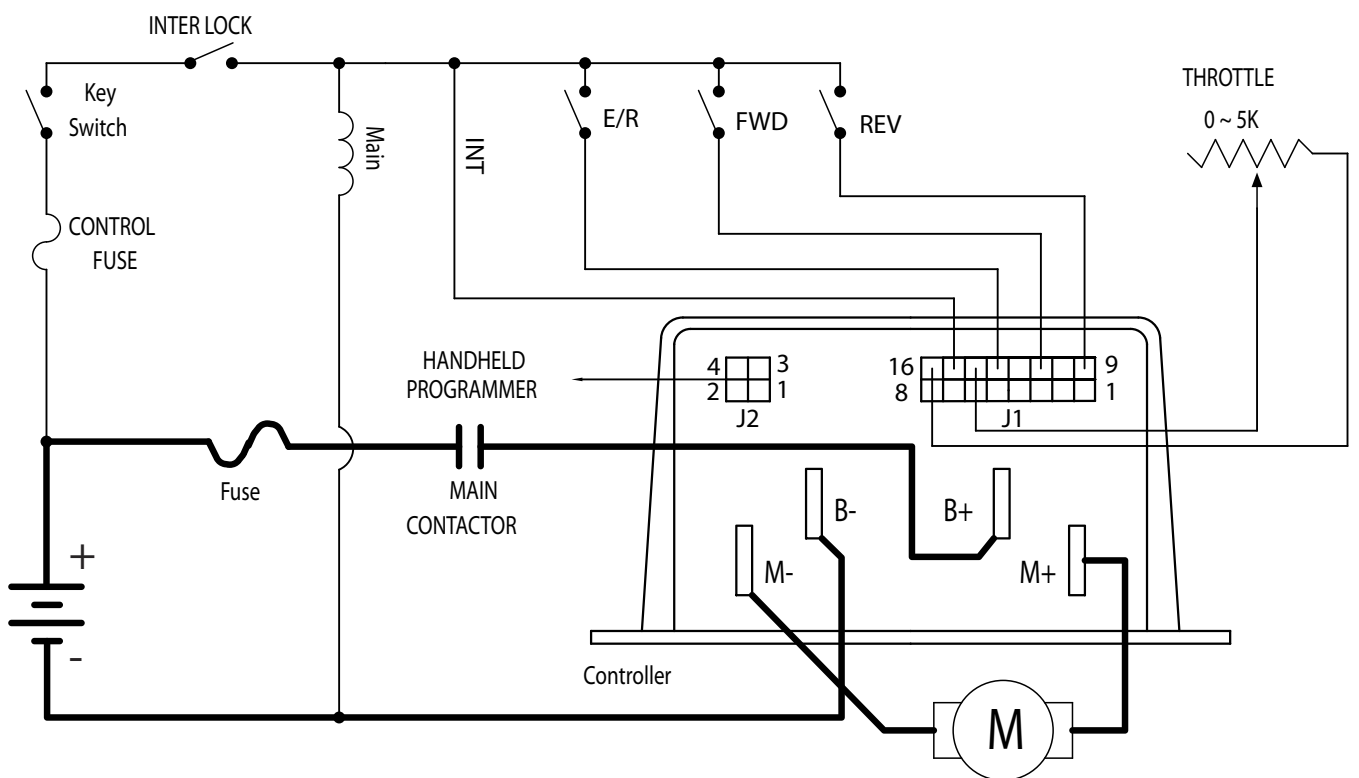
## DC MOTOR CONTROLLER

For Permanent Magnet Motor

12 - 48 VDC 100 - 200A



### TYPICAL WIRING DIAGRAM:



STARS CO., LTD.  
NO. 323 KUO-CHI RD. SEC.2  
TAOYUAN TAIWAN R.O.C.  
+886-3-3699587 TEL  
+886-3-3699687 TEL  
+886-3-3699661 FAX  
info@starstw.com  
www.starstw.com



Stars Co., Ltd. 2009 Copyright