

SEV SERIES



DC MOTOR CONTROLLER

For Permanent Magnet Motor

12 - 48 VDC 150A

DESCRIPTION:

Stars SEV-series motor controllers are perfect for systems requiring peak currents 150A and system voltages from 12VDC to 48VDC. Stars SEV-Series electronic motor speed controllers are designed to provide smooth, silent, cost-effective control of motor speed and torque of electric vehicles.

APPLICATIONS:

SEV controller designed for electric motorcycle, tricycle with Series DC motor or DC Permanent Magnet motor.



GENERAL FEATURES INCLUDE:

- High Frequency Switching
- Mosfet Power Technology -provides high efficiency
- Microprocessor Logic
- Thermal enhanced rugged aluminum housing.
- Soft-Start : protect your motor and avoid the large current when you start the vehicle.
- Overheat, Overcurrent & Low Voltage Protection
- High pedal disable prevents controller operation if key is turned on while throttle is applied.
- Undervoltage cutback function protects against low battery voltage.
- Simple installation with no adjustments required.
- Push on connectors for control wiring.
- Throttle Type : 0-5 k ohm, 5k-0 ohm, 0-5V

SPECIFICATIONS:

- Operating Frequency : 16KHz
- Microprocessor Logic
- Case : Aluminum alloy, black Finish
- Operating temperature : -30°C to + 50°C
- Storage temperature : -40°C to +70°C
- Protection :Overheat, Overcurrent & Low Voltage Protection

CONNECTION:

SEV controller design on push connector that help you easy connect the throttle to the controller.



SEV SERIES

DC MOTOR CONTROLLER

For Permanent Magnet Motor

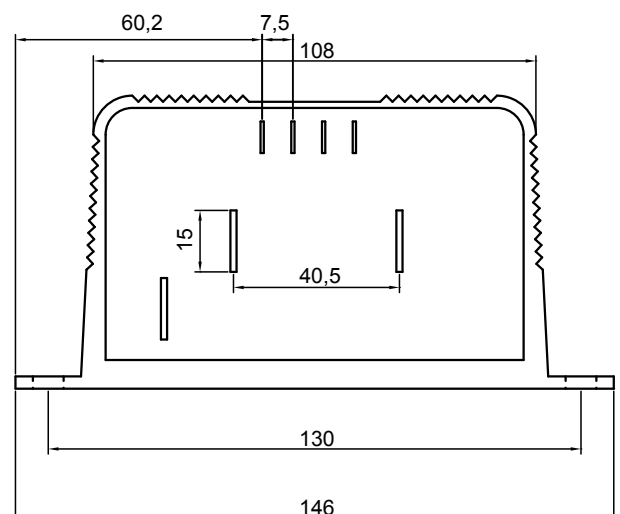
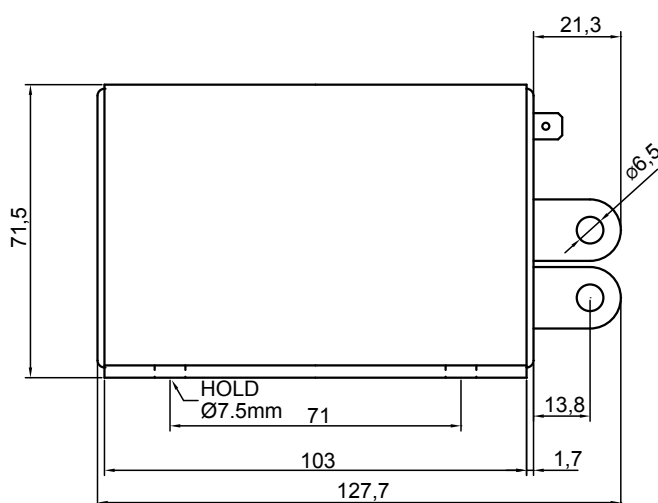
12 - 48 VDC 150A



PRODUCT FEATURES:

Model	Voltage	Current	1-min cont. current (A)	1-hour cont. current (A)
SEV1215	12V	150A	150A	40A
SEV2415	24V	150A	150A	40A
SEV3615	36V	150A	150A	40A
SEV4815	48V	150A	150A	40A

DIMENSIONS:



SEV SERIES

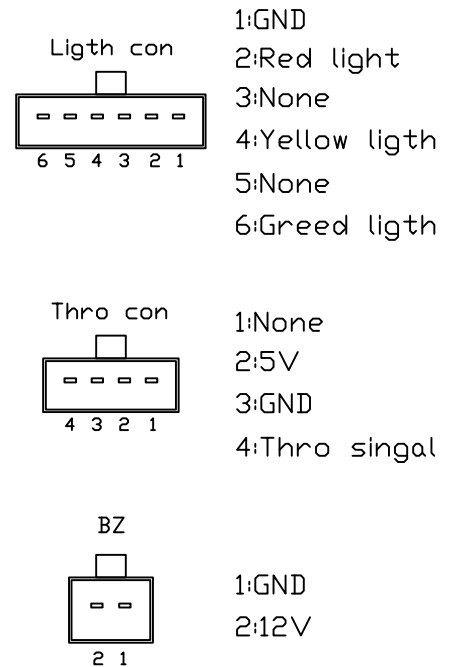
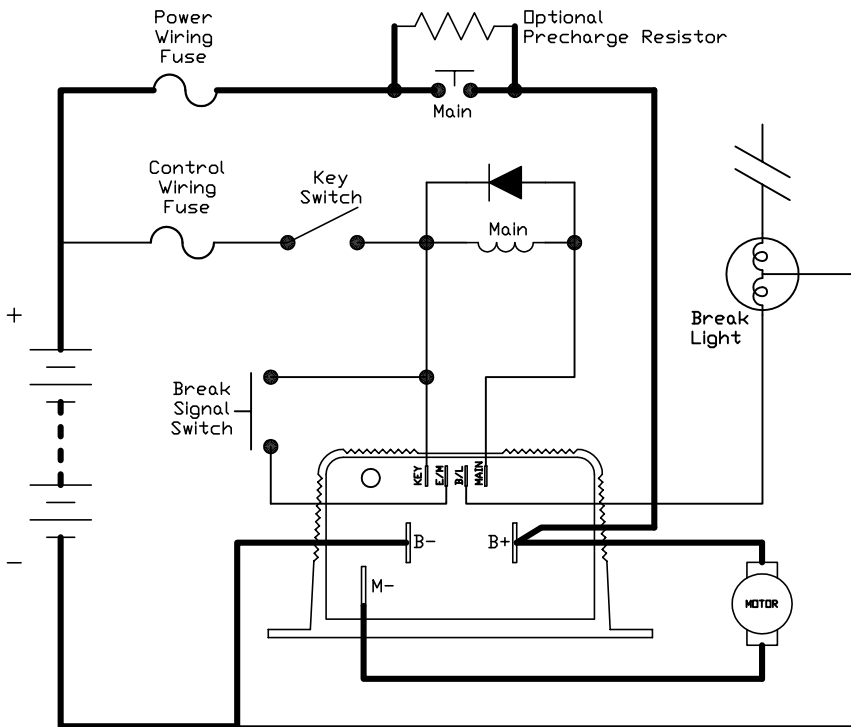
DC MOTOR CONTROLLER

For Permanent Magnet Motor

12 - 48 VDC 150A



TYPICAL WIRING DIAGRAM:



STARS CO., LTD.
 No. 323 KUO-CHI RD. Sec.2
 TAOYUAN TAIWAN R.O.C.
 +886-3-3699587 TEL
 +886-3-3699687 TEL
 +886-3-3699661 FAX
 info@starstw.com
 www.starstw.com



Stars Co., Ltd. 2009 Copyright